



CIC-408-MS100

A) INTERCOM CIC-408 Master Station



General description

The Intercom CIC-408 Talk-Back system provides bidirectional communication between a master station and other substations (communication between the substations is not possible).

The communication is established by line selection in the master station. A CALL from a talk-back speaker appears in the master as an intermittent green LED in the correspondent line key. Pressing the selection key establishes the communication with the line. Several lines can be selected simultaneously either individually, or all of them at the same time with the ALL key.

A steady green LED signals the lines selected in the keyboard. This allows communication from the master to several substations simultaneously, and also from the substations to the master adding the audio from the substations in the master speaker.

With up to 20 lines selection, is built with 2W speaker, microphone, PTT and control keyboard (volume control in 6dB steps, illumination control- light intensity, selection of lines). It also contains a connector for external PTT and microphone.

The equipment is made of aluminum. Mechanical parts are high-resistance and low-weight. Easy to use; easy to install.

Technical specifications

Electrical

Power supply:	24VDC
Input power:	25W/ 45W/ 75W/ 100W
Output power:	2W per line, max.
Number of lines:	5,10,15,20
Signaling output:	24V @ 100mA per line
Frequency response:	200Hz to 8kHz
Protections:	IP42
Distortion:	Better than 5% @ 1Khz

Operative

Temperature range:	0°C to 55°C
Relative humidity:	95%

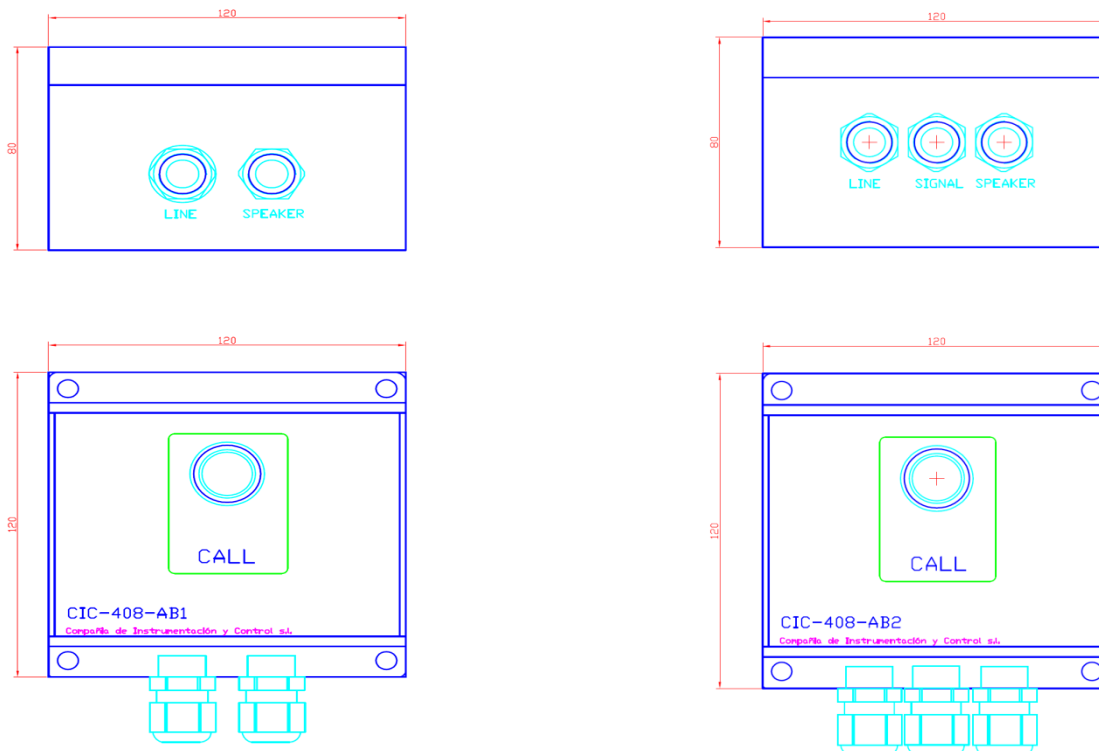
Mechanical

Weight:	3kg approx.
Dimensions:	155x225x110 plus cable glands



CIC-408-MS100

B) REMOTE STATION (2W-100V)



General description

This equipment adapts a talk-back Loudspeaker to the intercom system. The connection box provides a CALL switch to request communication to the master and allows a talk-back Loudspeaker, to be used as a hands free speaker and microphone. A CALL from the talk-back speaker appears in the master as an intermittent green LED in the line key. Pressing the selection key in the master station, establishes the communication with the line.

The CIC-408-AB2 version includes a power relay that can provide an external visual signal when the call from the master is applied.

AVAILABLE MODELS:

A) INTERCOM CIC-408 Master Station

Model	Number of lines
CIC-408-MS105	5
CIC-408-MS110	10
CIC-408-MS115	15
CIC-408-MS120	20

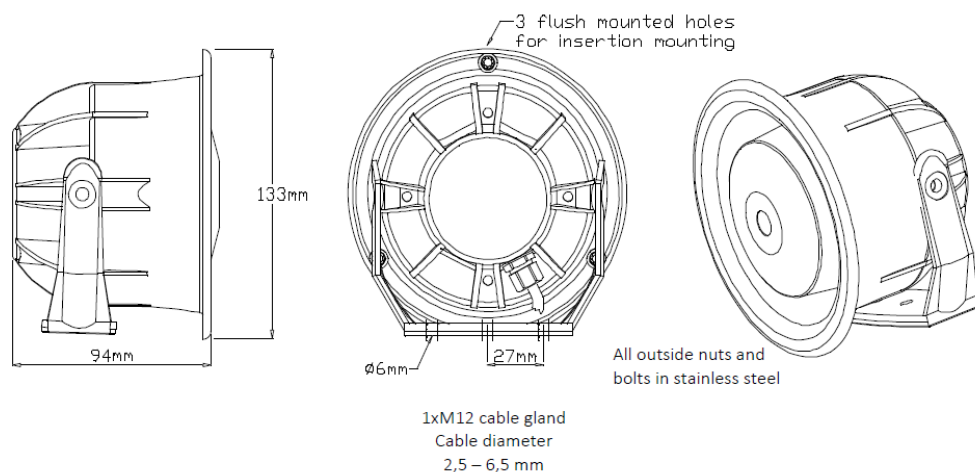
B) REMOTE STATION (2W-100V)

Model	Specifications
CIC-408-AB1	With call/ back button
CIC-408-AB2	With call/ back button and relay to activate auxiliary advices



CIC-408-MS100

C) LOUDSPEAKERS (2W-100V, RAL 7035 MP-2,5)



Specifications:

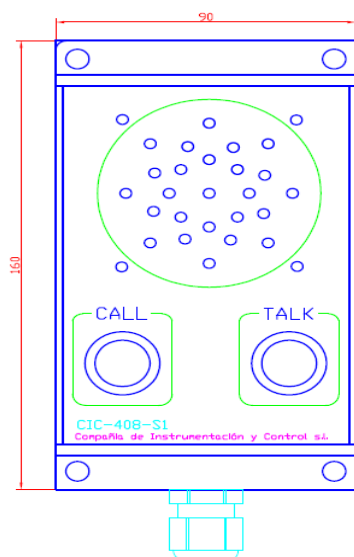
- Material / Color: Aluminum alloy / RAL 7035
- Mounting: Bracket
- Termination Inside: screw terminals
- Weight w/transformer: 2,7 kg
- IP-rating: 67
- Max. / min. amb. temp: 150°C / -50°C
- Rated / max. power: 15 W / 20 W
- SPL 1W/1m: 107 dB
- SPL rated power: 118 dB
- Effective freq. range: 350 – 7500 Hz
- Dispersion (-6dB) 1kHz / 4kHz: 150° / 40°
- Options: Impedances, colors, labels



CIC-408-MS100

D) PERIPHERAL EQUIPMENT

CIC-408-S1 Substation



The substation CIC-408-S1, with call/ back button and 2W internal Loudspeaker, provides a talk-back speaker with CALL and TALK keys for privacy in the communications channel. The CALL key provides a call tone that sounds in the master station, and an intermittent green LED signals the line. The TALK key has to be pressed to transmit the audio from the substation through the speaker. Wall mounting.

CIC-408-PS/PR Switching Power Supply

Power supplies that provide the necessary voltage stabilization and power for the master stations, in single and redundant (main and spare) power supply.

All models are switching power supplies with universal 115Vac to 220Vac input and 24volts output. Redundant units output is switched automatically. Versions with 24vdc or 48vdc input and battery charge with UPS function are also available.

AVAILABLE MODELS:

Model	Description
CIC-408-PS-75*	Single 24v 75w switching power supply
CIC-408-PR-75	Redundant 24v 75w switching power supply
CIC-408-PS-100**	Single 24v 100w switching power supply
CIC-408-PR-100	Redundant 24v 100w switching power supply

*CIC-408-PS-75 is enough for masters from 5 to 15 lines at 2w per line (30w max.).

**CIC-408-PS-100 is designed for masters with 20 lines at 2w per line (40w max.).