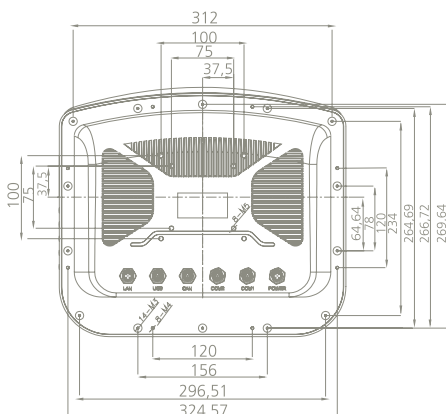
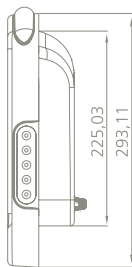
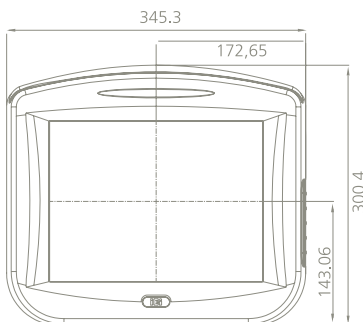
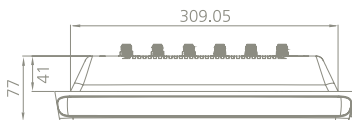




## Geomar CIC-398 TP | Touch Screen Control Panel for Navigation Lights



### Product Description

**Geomar CIC 398 TP** is a rugged, versatile, easy to use control system for navigation and signaling lights. The control panel switches and monitors traditional incandescent lights. The system consists of 2 different units:

Touch Screen Control Panel: 12,1", ruggedly constructed, IP67, able to withstand the highest demands. Protected against shock and vibration.

Certified by DNV

Control Box:

including power supply unit, CPU, commutating module, power modules. Dimensions: 600x400x150.

### Application

All vessels requiring navigation and signal lights to be continuously monitored.

Suez, Panama, Kiel Canal, Japanese Waters, St. Lawrence lights, etc.

All vessels with space problems in the console

All military vessels needing a versatile, custom made control panel able to dim the navigation lights.

### Technical Features

24V, 115V and 230V power supply. Automatic switch over from mains to emergency (Manual switch over optional)

Continuous supervision of: navigation lamps, wiring, power supply and control modules.

Monitoring of status of each individual lamp, type and location of failures.

Visual and acoustic alarms. Acknowledgement and alarm test button.

Automatic switch over from main lamp to spare lamp (double tier light)

Mimics with LEDs showing system availability included in the panel.

Dimmable control panel ensuring easy reading at night.

Sunlight readable

Ambient light sensor

Programmable settings: at sea, at anchor, NUC, RAM and other options according to customer's specifications and requirements

Galvanic isolation

Voltage free output

Prepared to connect 1 or several panels

Able to integrate the Suez Canal, Kiel Canal and any other special lights.

EMC, IP67 cable glands

BUS connection RS485

### Military Configuration

Dimmer for navigation lights

LCD screen indicating illumination level (%) of the lamps when they are dimmed.

Possibility of a mix of conventional navigation lights and friendly navigation lights (NVG), being the latter not necessary to be dimmed.

EMC cable glands

### Certificates

Touch Screen certified by DNV

Specifications according to all relevant classification societies



# Geomar CIC-398 PCL | Control Panel for Navigation Lights

## CONNECTION PLAN

