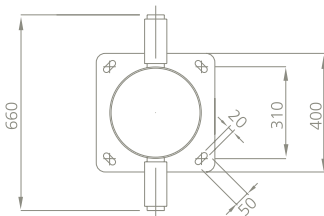
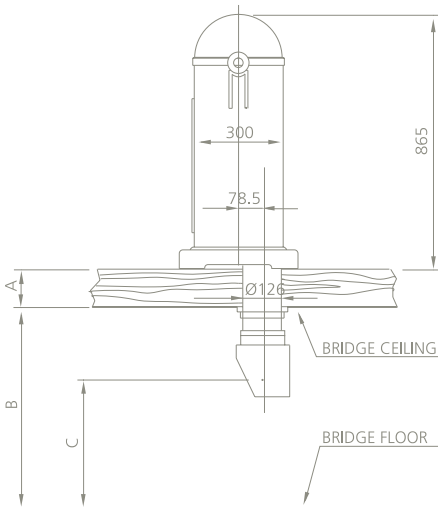
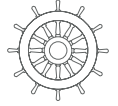




## Hansita II-WM | Magnetic Compass Outfit



### Product Description

**Hansita II-WM** is a binnacle for sea going commercial vessels  
Type approved to the European Marine Equipment Directive (MED)  
Highly environment resistant  
Easy installation work  
Suitable for use with Transmitting Magnetic Compass equipment (TMC) to operate magnetic compass repeaters, off-course alarms, gyro back up and other outputs to navigation equipment.

### Standard Scope of Supply

Reinforced fiberglass A2 type binnacle  
Magnetic A class compass Consemi G-WM, 125 mm reflector card  
B+C+D+K correctors  
Periscope  
Main and emergency illumination  
Double dimmer

### Optionals

Azimuth device  
Canvas cover

### Design Features

Binnacle's material: Glass-fiber reinforced polyester (GFRP)  
Compass' material: Non magnetic bronze and brass  
Correction: Full set of correctors B+C+D+K  
Lighting: Both main (220/115V-25W) and emergency (28V-25W)  
Dimmer: "Luxor" dimmer to independently control light intensity both from the bridge and the binnacle  
Compass: Magnetic reflector compass "Consemi G-WM" with 125 mm card diameter  
Binnacle colour: White or navy grey. Others available  
Periscope colour: Black  
Binnacle weight : Including compass, 26 kg