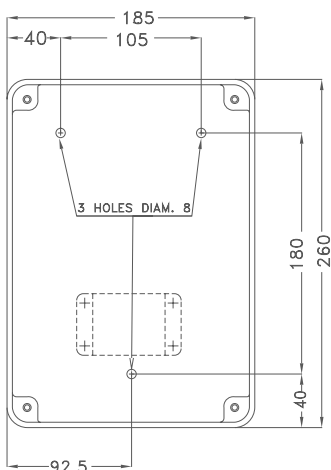
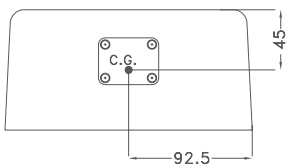
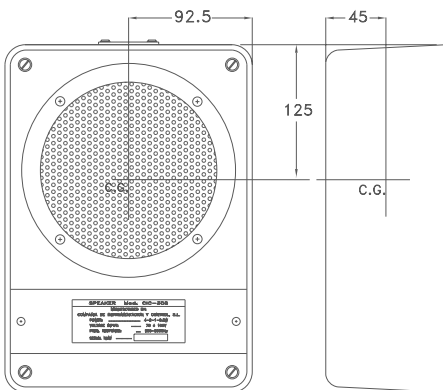




CIC-305 | Loudspeaker (below deck bulkhead mounted)



General description

Designed according to specification MIL-L-24223, marine loudspeaker CIC-305 is a low-power loudspeaker for reproducing general order and alarm signals in spaces with a low level of background noise.

It has not an outer volume control; therefore it must be pre-adjusted internally, selecting the wished power.

It has independent intakes for 4, 2, 1 and 0,5 W, therefore the maximum power can be preadjusted internally by the suitable connection in the secondary winding of the transformer.

The loudspeakers are magnetic (P.M. permanent magnet), and can provide up to 4 W audio for an input impedance of 8 ohms, and responses at frequencies of between 200 to 8.000 Hz.

The surfaces of all mechanical parts have undergone a treatment for maximum protection against marine environments, MIL C 554.

The finish and finish colors are in accordance with military regulation NM-P 362 M (5a. R), paragraph 6.6.24.2.2.

Technical characteristics

Electrical

Type of loudspeaker:	Direct radiator
Magnet:	Permanent
Input signal:	100 V or 70 V balanced
Power:	4,2,1 or 0,5 maximum (internally selectable)

Operative

Number of channels:	1
Volume control:	No, internally power change
Priority:	No

Mechanical

Weight:	4 Kg
Dimensions:	185 x 260 x 90
Anchoring type:	To bulkhead
Front panel:	Extractable
Anchoring:	3 bolts of less than 7 mm
Mechanics:	Light-weight alloy
Finish:	Navy grey



CIC-305 | Loudspeaker (below deck bulkhead mounted)

Certifications

Shock:	MIL-S-901C Grade A
Salt fog:	MIL-STD-202 F Method 101D MIL-L-24223 A (SHIPS) 4.5.2
Drip & inclination:	MIL-I-983 E (SHIPS) 4.4.11.2 and 4.4.16 MIL-L-24223 A (SHIPS) 4.5.2
Temperature (1st, 2nd, 3rd cycle):	MIL-I-983 E (SHIPS) 4.4.9.1.3
Extreme temperature: (1st & 2nd cycle)	MIL-I-983 E (SHIPS) 3.7.16.1 MIL-L-24223 A (SHIPS) 4.5.2
Humidity:	MIL-E-5272-C (4.4.1) MIL-L-24223 A (SHIPS) 4.5.2
Vibration:	MIL-STD-167 MIL-L-24223 A (SHIPS) 4.5.2
Immersion:	MIL-STD-202 F Method 104A MIL-L-24223 A (SHIPS) 4.5.2
Electrical test:	MIL-L-24223 A (SHIPS)
Electromagnetic compatibility:	EM Emission (M/01) MIL-STD-461D/462D EM Emission (M/03) MIL-STD-461D/462D EM Immunity (M/03) MIL-STD-461D/462D

Notes

Quality:	CIC has a quality system based on ISO 9001 regulation. ISO 9001 certified by SGS ICS IBERICA AEIE. PECA/IAQAP 2110 certified by the Ministry of Defence (Spain).
NATO number:	5965-33-0019741
Defence supplier number:	9074/1572B