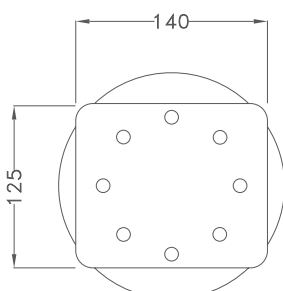
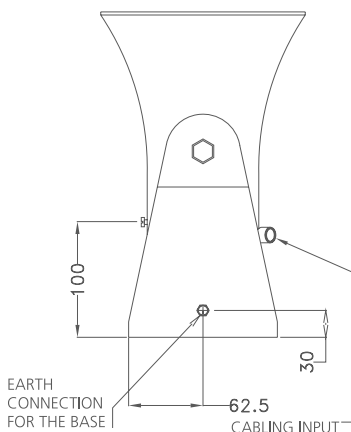
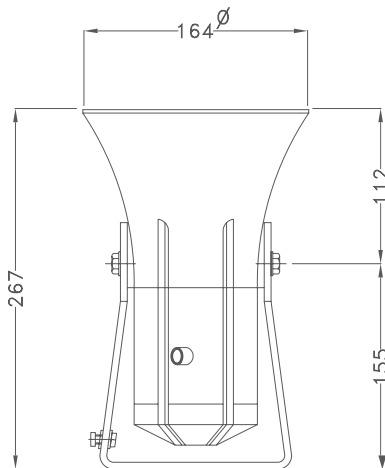




CIC-387 | Marine loudspeaker above deck



General description

Designed in accordance with Specification MIL-L-24223-A (SHIPS), the marine loudspeaker CIC-387/R is a medium-power loudspeaker for reproducing Broadcast and Alarm Signals in spaces with medium/high level of background noise such as machine rooms, open air, workshops, elevators, etc.

The loudspeaker is made of aluminium alloy, has a compression chamber and is flameproof. It is completely waterproof, extremely tough and designed to be mounted on a bulkhead. Highly resistant to corrosive and marine environment. Designed and approved for use in explosion environments.

The loudspeaker is of the ridged horn type and has a maximum power of 15 W.

It has an incorporated line transformer located on the inside of the loudspeaker box. The primary winding admits line voltages of 70 or 100 Volts, which can be chosen by selecting the corresponding intake.

The secondary winding of the line transformer has a set of intakes that can be used to internally select the loudspeaker volume. Available power settings are: 15 W; 7,5 W; 4 W; 2 W; 1 W.

The loudspeaker box has a cover that can be easily dismantled by removal of screws, providing an access to the internal components (line transformer, mute relay and connection strip). The cover can be removed without affecting the cables feeding into the box, which go through a cable gland located inside the loudspeaker box.

The connection strip, which is easily accessible from the inside, is where the electrical connections of the incoming lines are made.

Loudspeaker holder has 8 (eight) drills to fix, of which only 3 (three) will be used (disposal of triangle), it will be chosen depending on the loudspeaker wished direction.

Technical characteristics

Electrical

Maximum power:	15 W
Acoustic pressure at 1m:	For 15 W 118 dB
Frequency response:	350 to 10.000 Hz
Power selection:	15 W; 7,5 W; 4 W; 2 W; 1 W
Mute voltage:	24 V (CD)
Line voltage:	70 or 100 V (internally adjustable)

Operative

Mute function:	By relay (only CIC-387/R type)
Volume control:	Internal (through power connection)

Mechanical

Weight:	3 Kg
Dimensions:	164 Ø, 245 mm
Finish:	Navy grey



CIC-387 | Marine loudspeaker above deck

Certifications

Shock:	MIL-S-901C Grade A
Salt fog:	MIL-STD-202 F Method 101D MIL-A-24223 A (SHIPS) 4.5.2
Drip & inclination:	MIL-I-983 E (SHIPS) 4.4.11.2 and 4.4.16 MIL-A-24223 A (SHIPS) 4.5.2
Temperature: (1st, 2nd, 3rd cycle)	MIL-I-983 E (SHIPS) 4.4.9.1.3 MIL-L-24223 A (SHIPS) 4.5.2
Extreme temperature: (1st & 2nd cycle)	MIL-I-983 E (SHIPS) 3.7.16.1 MIL-A-24223 A (SHIPS) 4.5.2
Humidity:	MIL-E-5272-C (4.4.1) MIL-L-24223 A (SHIPS) 4.5.2
Vibration:	MIL-STD-167 MIL-L-24223 A (SHIPS) 4.5.2
Immersion:	MIL-STD-202 F Method 104A. MIL-L-24223 A (SHIPS) 4.5.2
Electrical test:	MIL-L-24223 A (SHIPS)
Electromagnetic compatibility:	EM Emission (M/01) MIL-STD-461D/462D EM Emission (M/03) MIL-STD-461D/462D EM Immunity (M/03) MIL-STD-461D/462
Atex:	Nemko 98ATEX564Q

Notes

Quality:	CIC has a quality system based on ISO 9001 regulation. ISO 9001 certified by SGS ICS IBERICA AEIE. PECAL/AQAP 2110 certified by the Ministry of Defence (Spain).
NATO number:	5965-33-0019743
Defence supplier number:	9074/1572B